

x12 HD IP BULLET CAMERA

NEW CNB-H2012AZIR



Features

Using Ultra-Low Light sensor

2M 1/1.9" CMOS 이미지 센서를 사용하여 조도 환경에서 높은 영상 화질과 선명한 컬러영상을 확인할 수 있습니다. 또한 강력한 저소음 효과와 뛰어난 소음 감소 기능을 가지고 있습니다.

Powerful zoom capability

12배 광학 줌, 12배 디지털 줌, 뛰어난 자동 초점, 7~84mm 초점 범위. 특히, 조리개가 F1.5~F1.9이기 때문에 다른 어떤 카메라보다 더 좋은 품질의 이미지를 얻을 수 있습니다.

Triple codec, Simultaneous multi streaming

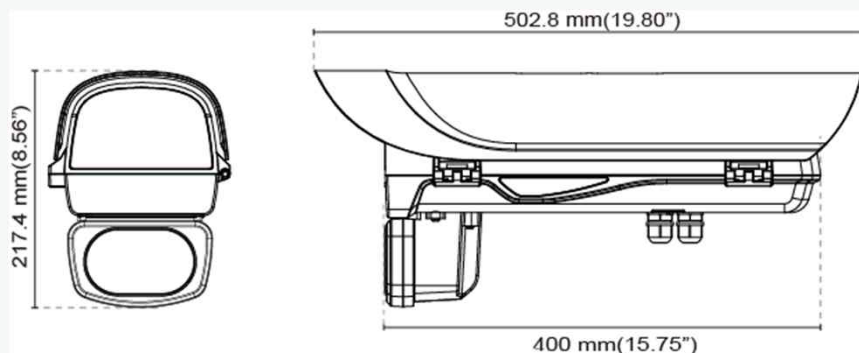
트리플 H/W 코덱을 사용하면 서로 다른 요구 사항에 대해 서로 다른 설정으로 최대 3개의 독립적인 스트림을 전송할 수 있습니다. H.264/H.265를 사용하여 완벽한 원격 비디오 모니터링 시스템을 구축할 수 있습니다.

Weather Proof Design

IP67 보호 기능을 갖춘 카메라는 비, 눈, 폭풍에 상관없이 정상적으로 작동합니다.

Dimension

Unit: mm



x12 HD IP BULLET CAMERA

NEW CNB-H2012AZIR

Specifications

Camera

Image Device	1/1.9" Progressive Scan CMOS
Effective Pixels	Approx. 2.38 Mega pixels
Aspect Ratio	HD: 16:9 SD: 4:3
Zoom Ratio	Optical x12, Digital x12
Focal Length	f = 7.0 ~ 84.0mm, F1.5 ~ F1.9
Horizontal angle	51.1°(W) ~ 5°(T)
MIN. Illumination	COLOR : 0.005 Lux@F1.5 B/W : 0.0005 Lux@F1.5, 0 Lux (IR)
Day & Night	Auto(CDS/CAM) / Day / Night(ICR)
Focus	Auto/Manual
DNR(2D/3D)	OFF/Level Adjustment(1~5)
Shutter Speed	1 sec ~ 1/10,000sec(60/30 mode) 1 sec ~ 1/10,000sec(50/25 mode)
AGC	Auto/Manual
White Balance	Auto/Indoor/Outdoor/Manual
WDR/BLC	OFF/BLC/WDR(Digital)
Other Function	Defog(Digital), HLC, Dynamic slow shutter

Network

Ethernet	10Base-T/100Base-Tx	
Video Compression	H.265/H.264/MJPEG	
Video Stream	Main	1080p/720p
	Second	D1/CIF/QCIF
	Third	1080p/720p/D1/CIF/QCIF
Stream Type	Video/Complex(Video/Audio) Stream	
Frame Rate	Max. 30 /25 fps for 1080P/720P/D1/CIF/QCIF	
Bitrate	30Kbps ~ 16Mbps. Supports CBR/VBR/FIX QP	
Audio Compression	Two way, G.711 A-law, G.711 μ-law, 128kbps, sampling rate 8kHz	
Local Storage	Micro SD/SDHC/SDXC card. Support up to 128GB	
IVA	Motion Detection, Occlusion Detection, Line Crossing*, Region entrance/exiting*, Intrusion*, Tampering*, etc	
Alarm actions	Email, Micro SD/SDCH/SDXC Record, Relay Output, Snapshot, Notification of Client	
Alarm	Pre-Post Alarm	
Max No. of Clients	10 users(Depending on user bandwidth)	
Web Brower	IE 6.0 above	
Protocols Support	IPv4	IPv4/IPv6*, TCP/IP, UDP, RTP, RTSP, RTMP, NTP, HTTP, HTTPS*, SSL*, DNS, DDNS, DHCP, FTP, SMTP, ICMP, SNMP*
	DDNS	Public DDNS services Support: www.dyndns.com
	ONVIF	PROFILE S
	Security	User Authentication(ID/PW), IP Address/Mac Address filtering*

General

Sensor In /Out	Built-in 1 Input / 1 Output(Relay)
Audio In / Out	1 Audio In / 1 Audio Out
Video Out	BNC: VBS 1.0 Vp-p
IR distance	More than 150M Wave: 850nm
Power	AC24V, 6W
Approvals*	KC, IP67
Housing	Weather proof / Vandal Proof
Material	Body : Aluminum Die-casting
Dimension	Net: 502.8 x 217.4 mm
Weight	Net: 3.9Kg, Package: 4.5Kg
Operating Temp.	-40°C ~ 50°C

The specifications are subject to change without prior notice. (*) This feature is under development and will be added in the future.